

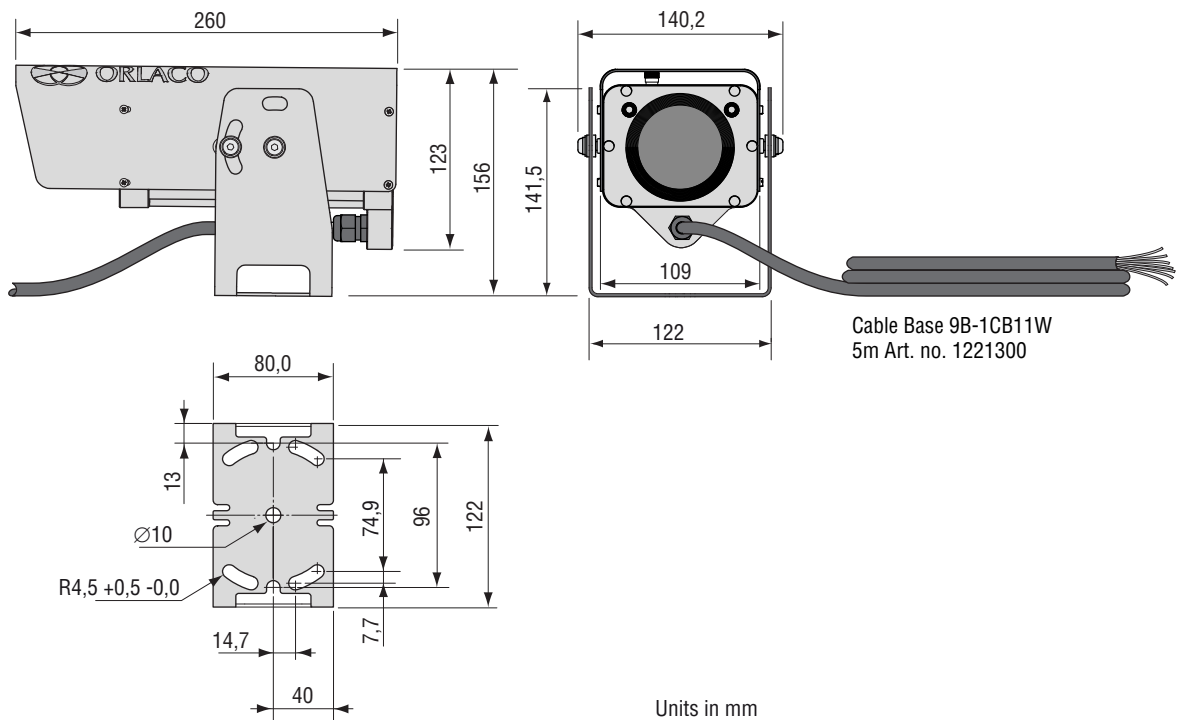
Vision is
our mission®

Camera AFZ Ex Alu RS485
Article no. 0192121
Camera AFZ Ex SSt RS485
Article no. 0192131
2019 • DS0964060 EN A 05

Product Data



Dimensions



Camera AFZ Ex RS485 PAL Alu/SSt

Article number	Description 0192121 Zoom Camera AFZ Ex RS485 PAL Alu. 0192131 Zoom Camera AFZ Ex RS485 PAL SSt.
Image sensor	Sensor 2.4 MP 1/3" format sensor.
Total pixels	1956 (H) x 1266 (V).
Resolution	>700 TV lines (NTSC/PAL).
Lens	30x optical, 32x digital zoom. f = 5.1 mm to 51 mm, F1.6 (WIDE) to F1.8 (TELE).
Angle of view (H)	54° (wide) 4,9° (tele).
Minimum illumination	1/30s color; 0.5 lux.
Power input	Electrical 24V/DC +/-10%.
Power consumption	Temperature <0°C (heater on): 5,6W temperature >0°C (heater off): 3,6 W.
Fuse	The camera must be protected with a 315 mA-T fuse, with 1500A breaking capacity. Placed on the Ex board, see Installation manual IM0973031.
Presets	128 presets Visca and 255 presets Pelco-D.
Cable	Cable Base 9B-1CB11W, Art. no 1221300, length 5m, min. bending radius 50mm.
Communication	Communication via serial interface through pin nr. 5 and 6 of the 7 poles connector, Visca-, PELCO-D protocol (RS485) 9,6 Kbps, 8 bit, 1 stop bit, no parity.
Electrical parameters	Um = 30V/DC.
Construction Alu.	Mechanical Sun cover and housing: aluminium (ALMGSi1). Bracket and mounting parts: SSt 316.
Construction Sst.	Sun cover and housing, bracket and mounting parts: SSt 316.
Weight Alu	3 kg (including cable).
Weight Sst	6 kg (including cable).
Protection	IP68 according to IEC 60529, Dust tight and protected against the effects of immersion in water up to 10m under water for 30 minutes and IP69K according to DIN 40050-9, camera can withstand a high pressure cleaning with water: 14-16L/min 80°C and 100 Bars flow.
Bracket	Standard bracket, including bolts, nuts and washers. Suitable for mounting hanging, overhead and standing.
Glass	Chemically hardened lens glass, 7x stronger than ordinary glass, scratch proof surface, following "VII Flachgläser" (German std.).
Operating temperature	T-amb. -20°C to +75°C.
Standards	Certification EN 60079-0 : 2009, EN 60079-18 : 2009, EN 60079-2 : 2007, EN 60079-31 : 2008, EN 60079-11 : 2007.
Green Passport	All materials are compliant to Green Passport requirements according IMO resolution MEPC.197(62) as adopted on 15 July 2011 (Maritime sector: International Maritime Organization concerning the functions of the Marine Environment Protection Committee).
Ex Specifications	CE0344 Ex II 2 G Ex ib mb px IIC T4 Gb. Ex II 2 D Ex mb tb IIIC T102°C Db.
Approvals	IEC 60079-0 : 2007-10 Ed. 5, IEC 60079-11 : 2006 Ed. 5, IEC 60079-18 : 2009 Ed. 3, IEC 60079-2 : 2007-02 Ed. 5, IEC 60079-31 : 2008 Ed. 1.

NOTE For more installation and specification details see Installation Manual IM0973031.

All data subject to change without notice. All dimensions are for commercial purpose only.
The camera/display systems from Orlaco comply with the latest CE, ADR, EMC and mirror-directive regulations, where applicable.
All products are manufactured in accordance with the ISO 9001 quality management system, IATF 16949 quality automotive, ISO 14001 environmental management systems and all Ex products with the IECEx scheme and ATEX directives, where applicable.

