

CD-15T-HB

15" High Brightness Marine Display



KEY FEATURES

- Dimming knob control backlight brightness from nearly 0% to 100%
- High brightness TFTLCD panel enhance the best visibility
- Panel (flush) mount with IP66 aluminum housing design (IP54 rear)
- 9 to 36V DC to DC power input acceptable (AC power for option)
- High quality touchscreen / AR protection glass for option
- PIP(picture in picture) function and multivideo inputs
- Ease of use front panel OSD control
- Enhanced shock and vibration resistance



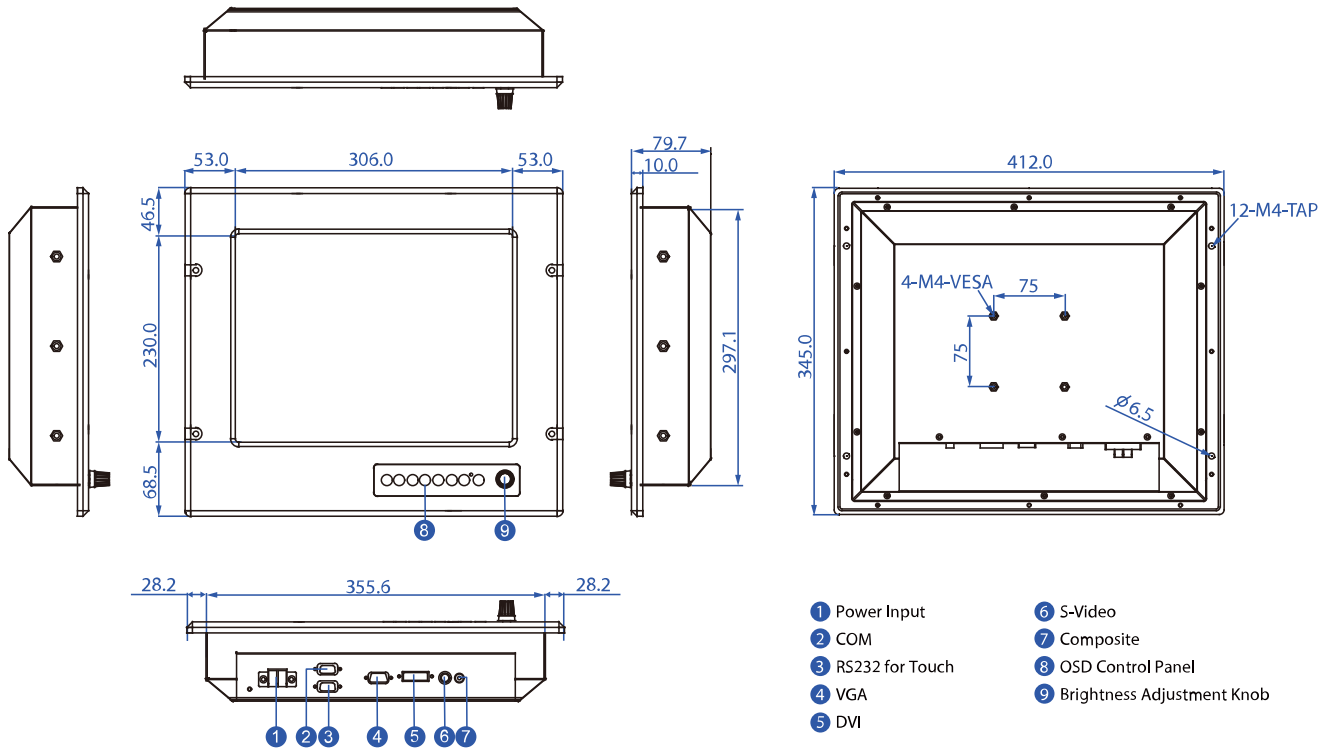
SPECIFICATIONS

Display	
Resolution	1024x768
Contrast Ratio	2000:1
Display Color	16.2M Colors
Active Area	304.1x228.1 mm
Size	15 inches
Panel Brightness	1000 nits
View Angles	88,88,88,88
Touch / Glass	Resistive Touch Screen AR Glass (Optional)
Environment	
Operating Humidity	5% to 95%
Operating Temperature	15~55°C
Shock	15G,11ms duration
Vibration	0.7g@DNVGL CG0339 (Class A)
IP rating	IP66 (Front Side)
Certification	
Certification	CE, FCC
IO Ports	
Serial Port	1 x RS232 for Remote Control 1 x RS232/USB for Touch Screen
Video	1 x VGA 1 x DVID 1 x Composite 1 x SVideo
Mechanical	
Dimension	412 x 345 x 79.7 mm
Mounting	VESA Mount/ Panel Mount
Enclosure	Metal Housing with Aluminum Bezel
Cooling System	Fanless Design
Cut out	338 x 288mm
Power	
Power Rating	24V DCin with Isolation (Approval by Certificate) 9~36V DC Input Acceptable
Accessory	
Accessory	1 x User Manual. 1 x CD for Touchscreen Driver Tools. 1 x DVI Cable. 1 x VGA Cable. 1 x RS232 Serial Cable. 1 x SVideo Cable. 1 x Composite Cable.

Control

Button	8 key: Esc/PIP Auto adjustment Left Right/Source OK/Menu Up Down Power 1 x The Dimming Knob
---------------	--

DIMENSIONS UNIT:MM



NOTE

1. This is a simplified drawing and some components are not marked in detail.
2. Please contact our sales representative if you need further product information.
3. All specifications are subject to change without prior notice.
4. The product shown in this datasheet is a standard model. For diagrams that contain customized or optional I/O, please contact the Seatronx Sales Team for more information.

