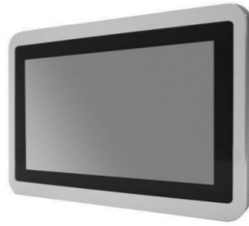


# SEA-107-MIL

## 7" Military Touch Panel Computer



### Specification

#### System:

- Processor : Intel® Skylake Core i3 6100U 2.3GHz
- Chipset : Intel® SoC integrated
- Memory : DDR3L 1600 SO-DIMM 4GB (up to 8GB)
- Storage : mSATA SSD or 2.5 SATA SSD
- Ethernet : Dual Intel I211AT Controller
- BIOS : UEFI BIOS 128M bit
- Watchdog : Watchdog timer 0-255 sec.
- Mounting : Panel Mount / VESA Mount
- EMI proof : Power EMI filter
- Mechanical : Alu. Chassis with anti-corrosion chromate coating

#### Input / Output :

- RS232 : 5 x RS232 (D38999 connector)
- USB Ports : 2 x USB (D38999 connector)
- LAN : 1 x LAN (D38999 connector)

#### Power Specification :

- Power Input : 9~36V Isolative DC Input w/EMI filter
- Power Consumption : 35 watts (typical)

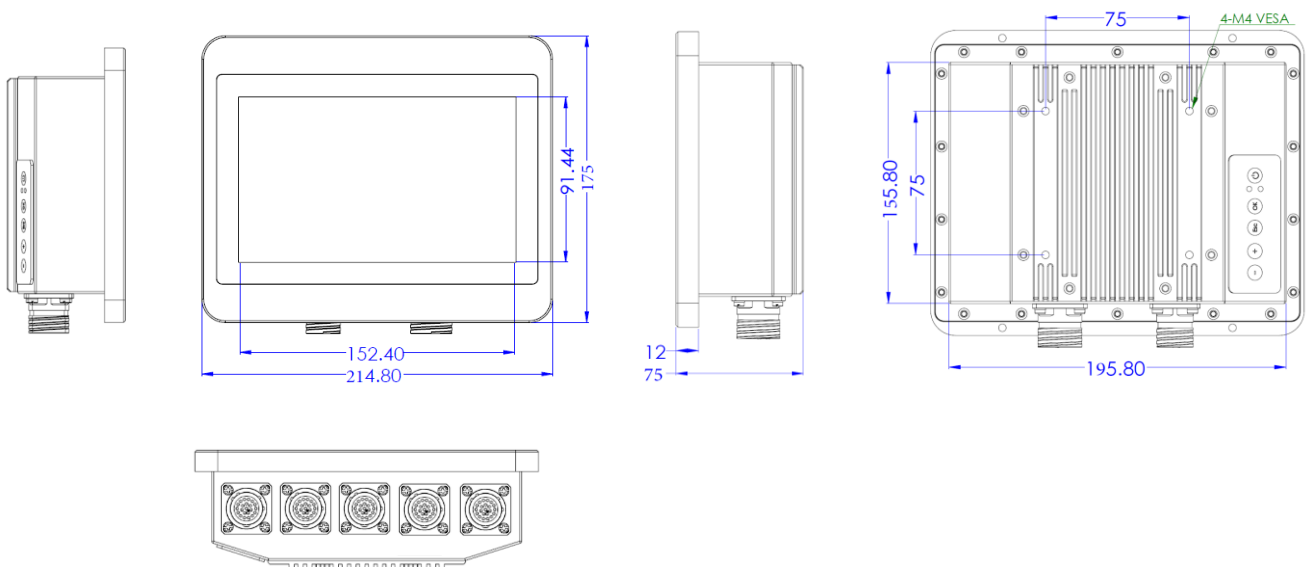
#### Panel Specification :

- Size/ Type : 7" (16:9) TFT LCD
- Resolution : 800 x 480
- Brightness : 1,000 nits sunlight readable
- Contract Ratio : 400 : 1 (typ.)
- Viewing Angle : -70~70 (H) ; -55~55 (V)
- Max. Colors : 262k
- Active Area : 153.6 (H) x 90.0 (V)
- Touch : 5-wire resistive touch w/mesh filter

#### Environment Tolerance:

- Net Weight : 2.5 KG (Identity)
- Operating Temp. : -20 deg. C to 60 deg. C
- Storage Temp. : -30 deg. C to 70 deg. C
- Operating Humidity : 10% to 95% (Non Condensing)
- IP65 : Full - IP65
- Vibration : MIL-STD-810G Method 514.6C-3
- Shock : MIL-STD-810G Method 516.6
- EMI Compatible : MIL-STD-461E (RE101, RE102, CE101, CS102, CS114, CS116, RS101, RS103).

### Drawings



REV 1.12.01.22