

FENR-4200 series

Fanless Mini Computer with 8th Gen Intel® Core™ and Celeron® Processor ,
2xLAN, 4xUSB 3.2



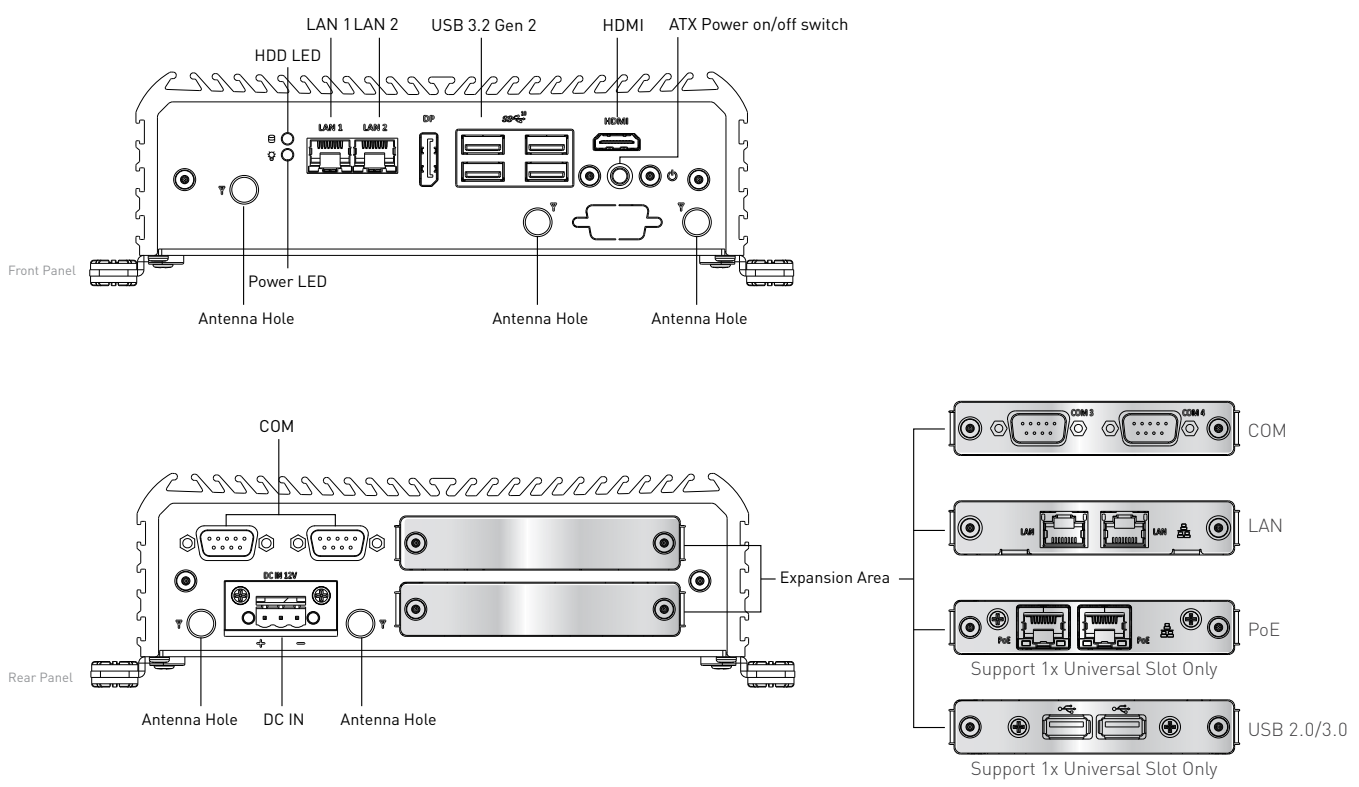
FEATURES

- Support 8th Gen. Intel® Core™ i5, i3 & Intel® Celeron® Processor
- 1x 260-pin DDR4 2400 SO-DIMM. Max. up to 32GB
- 2x Intel® GbE (Support Wake-on-LAN and PXE)
- Dual Independent Display by 1x DisplayPort and HDMI (Optional)
- 2x Mini PCIe (Gen3) w/ a SIM slot support
- 4x USB 3.2 Gen 2 (10Gbps), 4x RS-232/422/485 (w/ 2x Internal)
- 1x Internal 2.5" SATA HDD Bay and 1x mSATA
- Watchdog timer 1~225sec. system reset
- TPM 2.0 Supported

SPECIFICATIONS

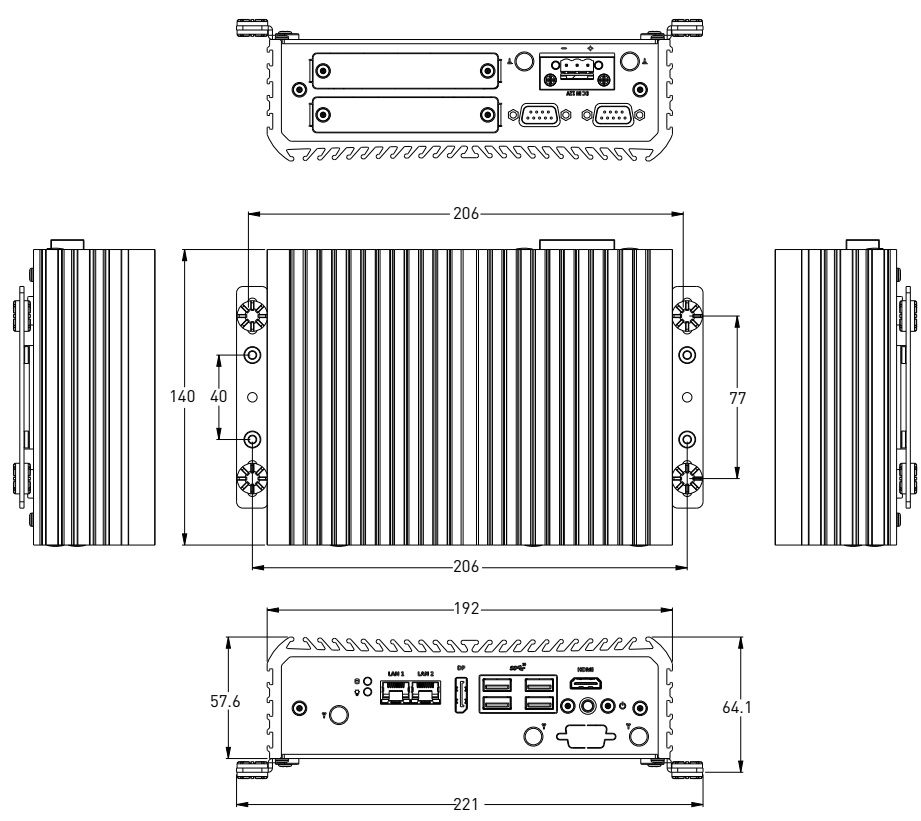
| System | | COM | |
|------------------|--|---|--|
| Processor | Support 8 th Gen. Intel® WL-UE Processor (15W TDP) Intel® Core™ i5-8365UE Processor 6M Cache, up to 4.10 GHz Intel® Core™ i3-8145UE Processor 4M Cache, up to 3.90 GHz Intel® Celeron® Processor 4305UE 2M Cache, 2.00 GHz | 2x RS-232/422/485 2x RS-232/422/485 (internal) | |
| System Chipset | SoC | Audio | 1x Mic-in, 1x Line-out (Internal connector) |
| LAN Chipset | GbE1: Intel® I219LM (Support Wake-on-LAN and PXE) GbE2: Intel® I210-IT (Support Wake-on-LAN and PXE) | GPIO | 2 x4-bit DIO (4-in/4-out) with 2.0 Pitch Header |
| Audio Codec | Realtek ALC888S HD Audio Codec | Universal I/O Bracket | 2x Universal I/O Bracket (By mini PCIe interface) |
| Memory | 1x 260-Pin DDR4 2400MHz SO-DIMM slot | Others | 5x WiFi Antenna Holes 1x 4-pin PWM smart fan 1x RTC battery by cable |
| Max. Size | 32GB | Operating System | |
| BIOS | AMI uEFI 256MB SPI flash | Windows | Microsoft® Windows® 10 64-bit (RS5 or above) |
| Watchdog | Software Programmable Supports 1~255 sec. System Reset | Linux | Linux Kernel 5.x (Fedora 30 or above / Ubuntu 19.04 or above) |
| TPM | TPM 2.0 Through Infineon® SLB9665TT2.0 or Equivalent | Power | |
| Display | | Power Connector | 3-pin Terminal Block |
| Chipset | Intel® UHD Graphics 620 for Core series Intel® UHD Graphics 610 for Celeron series | Power Input | AT/ ATX 12V |
| Interface | 1x DisplayPort support resolution 4096x2304 @60Hz 1x HDMI support resolution 4096x2304 @24Hz (Optional) | Power Management | ACPI |
| Multiple Display | Dual Display | Power Adaptor | Optional AC/DC 12V/5A, 60W |
| Storage | | Power Protection | OVP (Over Voltage Protection) OCP (Over Current Protection) Reserve Protection |
| SSD/HDD | 1x Internal 2.5" SATA HDD Bay (support H=9.5mm) | Environment | |
| mSATA | 1x mSATA (Shared by 1x Mini PCI Express) | Operating Temp. | -20°C to 60°C (15W CPU) |
| Expansion | | Storage Temp. | -30°C to 85°C |
| Mini PCI Express | 2x Full-size Mini PCIe (1x shared by 1x mSATA) | Relative Humidity | 10% to 95% (non-condensing) |
| I/O | | Vibration | With SSD: 3 Grms, 5 - 500 Hz, 0.5 hr/axis With HDD: 1 Grms, 5 - 500 Hz, 0.5 hr/axis |
| LED | 1x Power LED, 1x HDD LED indicator | Shock | With SSD: 20G, half sine, 11ms |
| LAN | 2x RJ45 GbE | Standards / Certification | CE, FCC Class A |
| Display | 1x HDMI 1.4, 4096x2304 1x DisplayPort DP 1.2, 4096x2304 | Physical | |
| USB | 4x USB 3.2 Gen 2 (10 Gbps) 2x USB 2.0 header (internal) | Construction | Extruded Aluminum with Heavy Duty Metal |
| | | Dimension | 140 (D) x 192 (W) x 61 (H) mm |

EXTERNAL I/O MECHANICAL LAYOUT



DIMENSION

Unit: mm



ORDERING INFORMATION

| MODEL NO. | DESCRIPTION |
|------------------|--|
| 1-E09A06007 | Adapter AC/DC 12V 5A 60W with 3pin Terminal Block Plug 5.0mm Pitch |
| SFICBL022 | Power Cord, 3-pin US Type, 180cm |
| 1-TPCD00002 | Power Cord, European Type, 180cm |
| 1-TPCD00001 | Power Cord, 3-pin UK Type, 180cm |
| 3-DINR-0004 | DIN-Rail Mount Kit |
| 3-BC20002LKIT-SO | Module Kit with 2x LAN for BCO-2000 Series |
| 3-BC20002PKIT-SO | Module Kit with 2x PoE for BCO-2000 Series |
| 3-BC2000CMKIT-SO | Module Kit with 4x COM for BCO-2000 Series |
| 3-BC20002CKIT-SO | Module Kit with 2x COM for BCO-2000 Series |
| 3-BC2000U2KIT-SO | Module Kit with 2x USB 2.0 for BCO-2000 Series |
| 3-BC2000U3KIT-SO | Module Kit with 2x USB 3.0 for BCO-2000 Series |

PACKING LIST

- 1x BCO-2000 BOX PC Series Embedded System
- 1x Utility DVD Driver
- 1x Wall Mount Kit
- 1x Accessory Kit

AVAILABLE MODELS

| MODEL NO. | DESCRIPTION |
|-----------------|---|
| BCO-2000-8365UE | Basic Fanless Embedded System with Intel Core i5-8365UE, 1x DP, 2x COM, 2xLAN, 4x USB, 1x 2.5" SATA HDD |
| BCO-2000-4305UE | Basic Fanless Embedded System with Intel Celeron 4305UE, 1x DP, 2x COM, 2xLAN, 4x USB, 1x 2.5" SATA HDD |