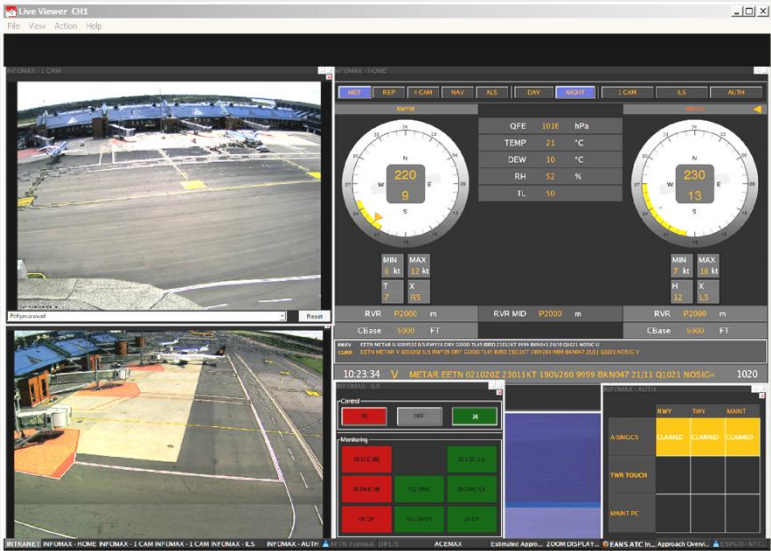


Advanced Software Video Recording, captures display screen content, including mouse and keyboard actions with the highest image quality, speed and storage efficiency.

At any Controller Working Position the Sentinel Software Recording provides:-



- All video formats.
- All video resolutions.
- Platform Independent, LINUX, UNIX, MAC or Windows.
- Transparent to the user: CWP application response times are not affected.
- Real-time remote viewing of any source (direct from LAN).
- Accurate information for legal recording, incident analysis, simulation and training.

### Operational benefits

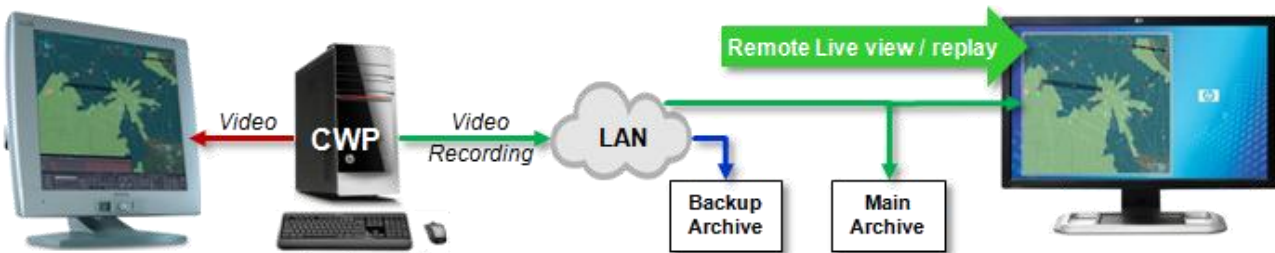
Sentinel Software Recorders continuously capture any CWP video sources and feature:

- No extra hardware needed in the console.
- High frame rates: Mouse movements, clicks and keyboard inputs are always accurate.
- Data rate control and parity checks.
- Inter-operability with Sentinel hardware recorders.

### Life cycle benefits

With greatly reduced complexity at the working position, the Sentinel Software Video Recorder, hosted on an existing CWP will provide:

- Cost effective, simple solution to install; needs neither power nor mechanical changes to a console.
- No change to CWP power demand.
- Minimum heat in the operations room.



### Simple Integration

Integration with the host CWP is simple and straightforward, and benefits from:

- LINUX, UNIX, MAC or Windows support.
- Low and stable CPU usage, which can be allocated to a designated core.
- Low memory usage.
- Optimal recorded data file size.
- Fully compatible with existing Sentinel Storage, Replay and Management tools.

### Green solution

With possibly the lowest power consumption of any recording system, Sentinel Software Video Recorder also does not use any physical materials.

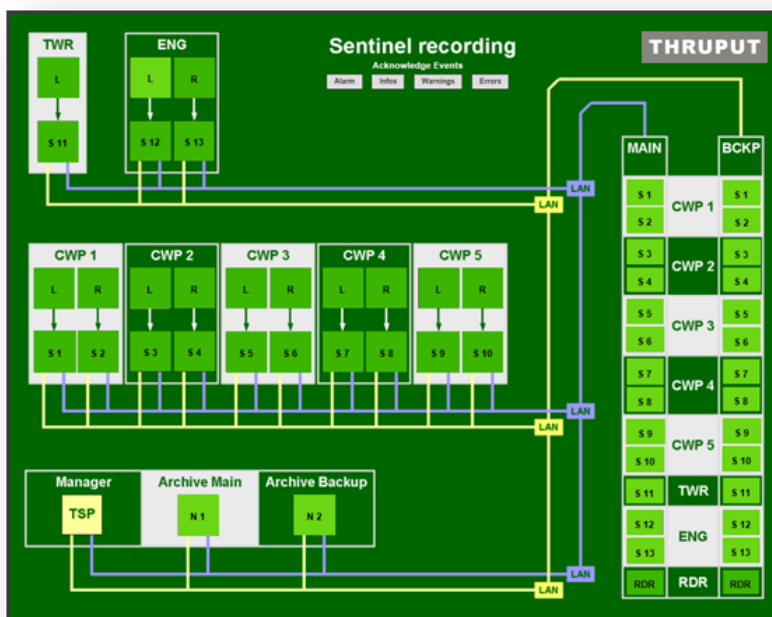
### Safety

Thruput True-pixel graphics processing:

- Continuous data rate control and parity checks.
- Supports redundant system architectures.
- Transparent to the user: CWP application response times are not affected.
- Real-time remote viewing of any source (direct from LAN).
- Accurately recorded information.

### Specification

CWP OS support	LINUX UNIX MAC Windows
Data types supported	Video Mouse Keyboard
Video format	Sentinel SVR is video format independent
Mouse / Keyboard	Sentinel SVR is mouse / keyboard format independent
Recording platform OS	LINUX Windows



Thruput Limited operates a policy of continuous improvement and information in this document is subject to change without notice.