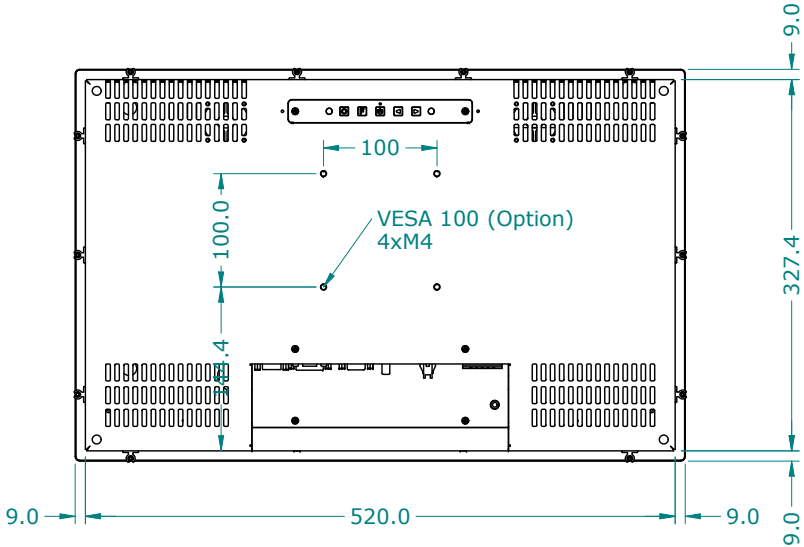
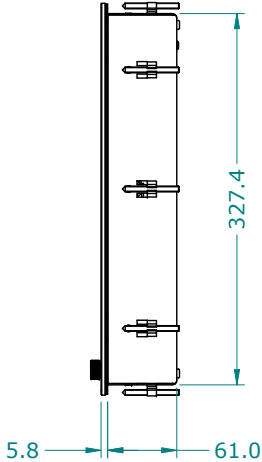
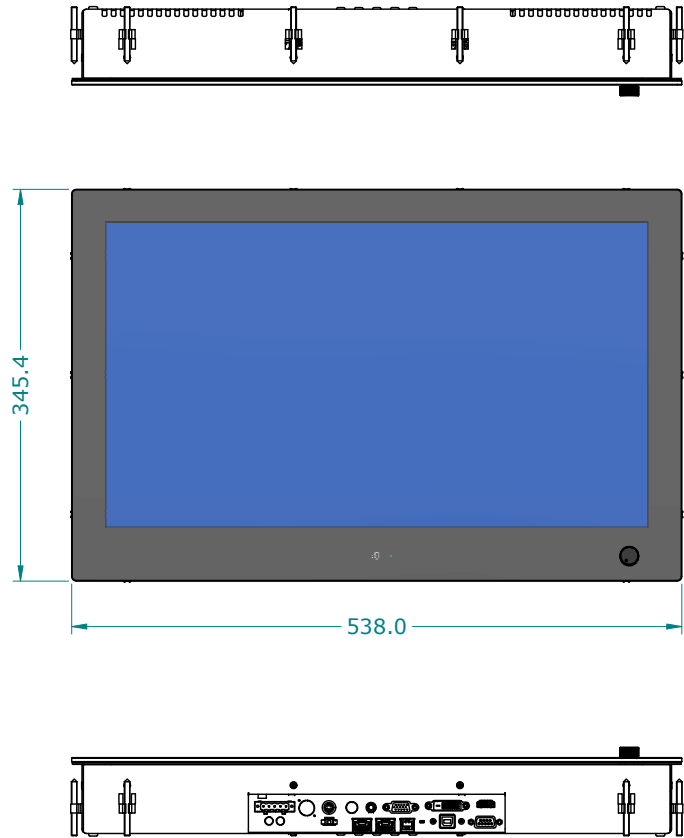


# MODEL SRT-21W / PHT-21W



SRT/PHT 21W-dims (10-04-18)



DIMENSIONS ARE SUBJECT TO CHANGE WITHOUT NOTICE

ISO 128 ALL DIMENSIONS ARE IN MILLIMETERS