

# SEA4K-M27RM-P

27" 4K UHD PCAP Rack Mount Defense Display



## KEY FEATURES

- 27" Display with 4K UHD (3840 x 2160) native resolution
- Compliant MIL-STD 810G/ MIL-STD 461E
- Rack mount mechanical design, supports VESA mount
- PCAP multi-touch screen
- Military-grade power connector (MIL-DTL-38999/1)
- AC 100~240V, Universal, ±10%; DC 9~36V, ±10% (Optional)
- Convenient on-screen display controls



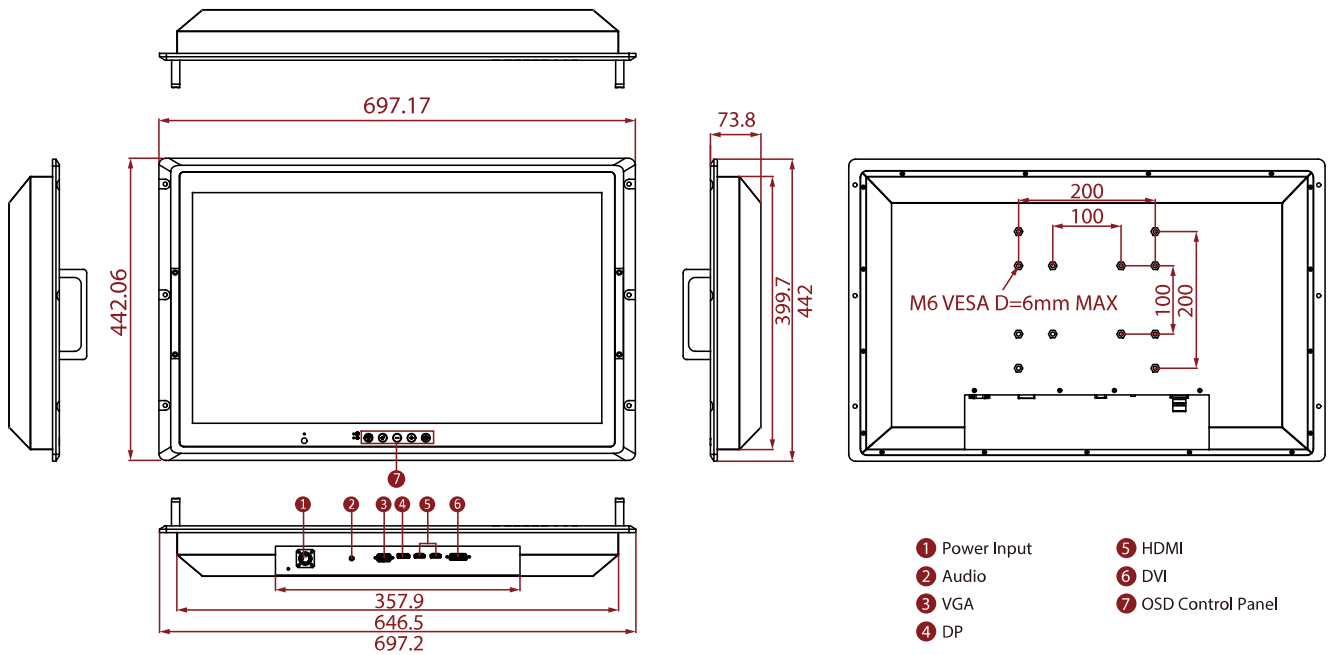
## SPECIFICATIONS

Display			
<b>Resolution</b>	3840x2160	<b>Size</b>	27.0 inches
<b>Contrast Ratio</b>	1000:1	<b>Panel Brightness</b>	300 nits
<b>Display Color</b>	1.07B Colors	<b>View Angles</b>	89,89,89,89
<b>Touch / Glass</b>	Projected Capacitive Multi Touch Screen PCAP with With ITO Flim (Optional)		
Environment			
<b>Operating Humidity</b>	10% to 95% RH	<b>Operating Temperature</b>	0~50°C
<b>Storage Temperature</b>	-25°C~60°C		
Compliance			
<b>MIL-STD 461E/F</b>	RE101 / RE102 CE101 / CE 101 with EMI Glass / Touch(Optional) RS101 / RS 103 CS101 / CS 106 / CS 109 / CS 114 / CS 115 / CS 116	<b>MIL-STD 810F/G</b>	Vibration Method 514.5 Humidity Method 507.4 Transit Drop Method516.5
Certification			
<b>Certification</b>	CE, FCC		
IO Ports			
<b>USB Port</b>	1 x USB for Touch Screen (Optional)	<b>Serial Port</b>	1 x RS232 for Remote Control (Optional)
<b>Video</b>	1 x VGA 1 x DVI 1 x Display Port 1.2 1 x HDMI 1.4 (Optional) 1 x HDMI 2.0 (Optional)	<b>Audio</b>	1 x Audio Line In
Mechanical			
<b>Dimension</b>	697.2 x 442 x 73.8 mm	<b>Mounting</b>	VESA Mount/ Rack Mount
<b>Enclosure</b>	Metal	<b>Cooling System</b>	Fanless Design
Accessory			
	1 x User Manual(Hardcopy) 1 x Power Cord MILDTL38999/1 1 x VGA Cable		

- 1 x DVI Cable
- 2 x HDMI Cable
- 1 x DP Cable
- 1 x Audio cable

<b>Power</b>	
<b>Power Rating</b>	AC 100~240V, Universal, ±10% DC 9~36V, ±10% (Optional)
<b>Control</b>	
<b>Button</b>	5 x Capacitive Touch Key Power Brightness+ Brightness- OSD/ Enter ESC

**DIMENSIONS** UNIT:MM



**NOTE**

1. This is a simplified drawing and some components are not marked in detail.
2. If you require an external test report, Seatronx will charge an NRE fee.
3. Please contact our sales representative if you need further product information.
4. All specifications are subject to change without prior notice.
5. The product shown in this datasheet is a standard model. For diagrams that contain customized or optional I/O, please contact the Seatronx Sales Team for more information.