

SEA-ML27W-4KRM

27" 4K UHD Rack Mount Protective Glass Defense Display



KEY FEATURES

- 27" Display with 4K UHD (3840 x 2160) native resolution
- Compliant MIL-STD 810G/ MIL-STD 461E
- Rack mount mechanical design, supports VESA mount
- AR protection glass
- Military-grade power connector (MIL-DTL-38999/1)
- AC 100~240V, Universal, ±10%; DC 9~36V, ±10% (Optional)
- Convenient on-screen display controls



SPECIFICATIONS

Display			
Resolution	3840x2160	Size	27 inches
Contrast Ratio	1000:1	Panel Brightness	300 nits
Display Color	1.07B Colors	View Angles	89,89,89,89
Active Area	596.16x335.34 mm	Touch / Glass	AR Protection Glass EMI ITO Glass (Optional)
Certification			
Certification	CE, FCC		
Environment			
Operating Humidity	10% to 95% RH	Operating Temperature	0~50°C
Storage Temperature	-25°C~60°C		
Compliance			
MIL-STD 461E/F	RE101 / RE102 CE101 / CE102 with EMI Glass / Touch(Optional) RS101 / RS 103 CS101 / CS 106 / CS 109 / CS 114 / CS 115 / CS 116	MIL-STD 810F/G	Vibration Method 514.5 Humidity Method 507.4 Transit Drop Method 516.5
IO Ports			
Serial Port	1 x RS232 for Remote Control (Optional)	Video	1 x VGA 1 x DVI 1 x Display Port 1.2 1 x HDMI 1.4 (Optional) 1 x HDMI 2.0 (Optional)
Audio	1 x Audio Line In		
Mechanical			
Dimension	697.2 x 442 x 73.9 mm	Mounting	VESA Mount/ Rack Mount
Enclosure	Metal	Cooling System	Fanless Design
Accessory			
1 x User Manual(Hardcopy) 1 x Power Cord MILDTL38999/1 1 x VGA Cable 1 x DVI Cable 2 x HDMI Cable 1 x DP Cable 1 x Audio Cable			

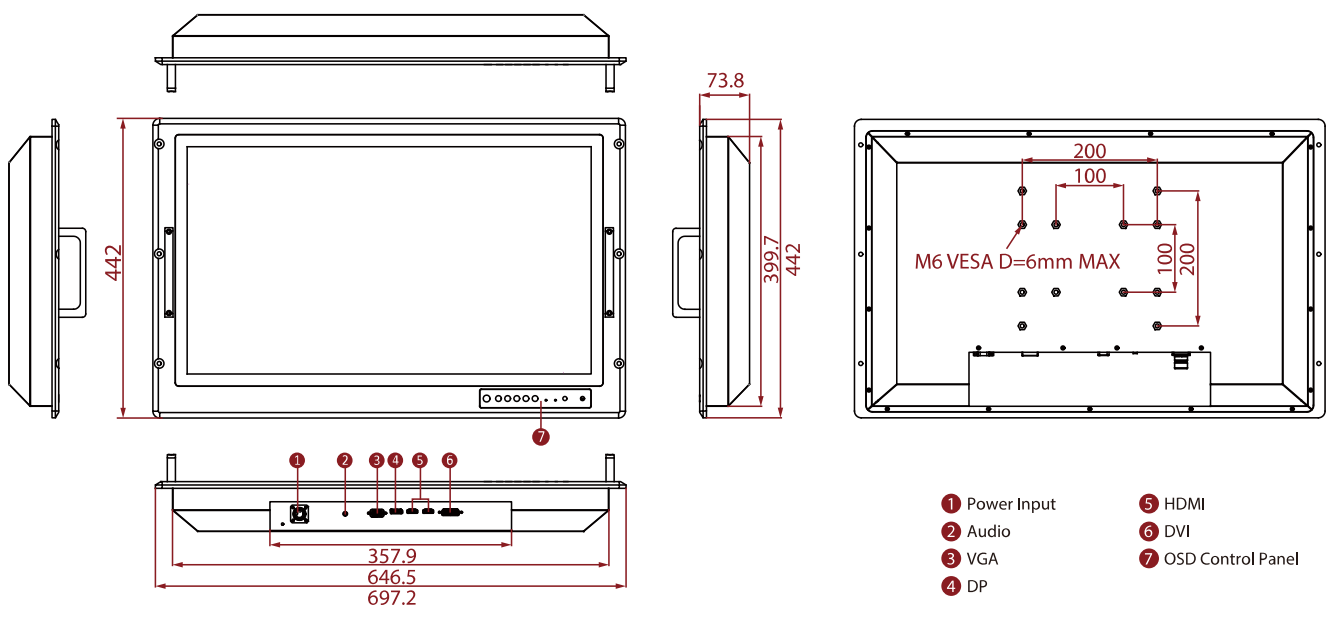
Power

Power Rating AC 100~240V, Universal, ±10%
DC 9~36V, ±10% (Optional)

Control

Button 7 key:
Power
Decrease
Increase
Exit/ Auto
Menu
Day/ Night
Lock/ Unlock

DIMENSIONS UNIT:MM



NOTE

1. This is a simplified drawing and some components are not marked in detail.
2. If you require an external test report, We will charge an NRE fee.
3. Please contact our sales representative if you need further product information.
4. All specifications are subject to change without prior notice.
5. The product shown in this datasheet is a standard model. For diagrams that contain customized or optional I/O, please contact our Sales Team for more information.

