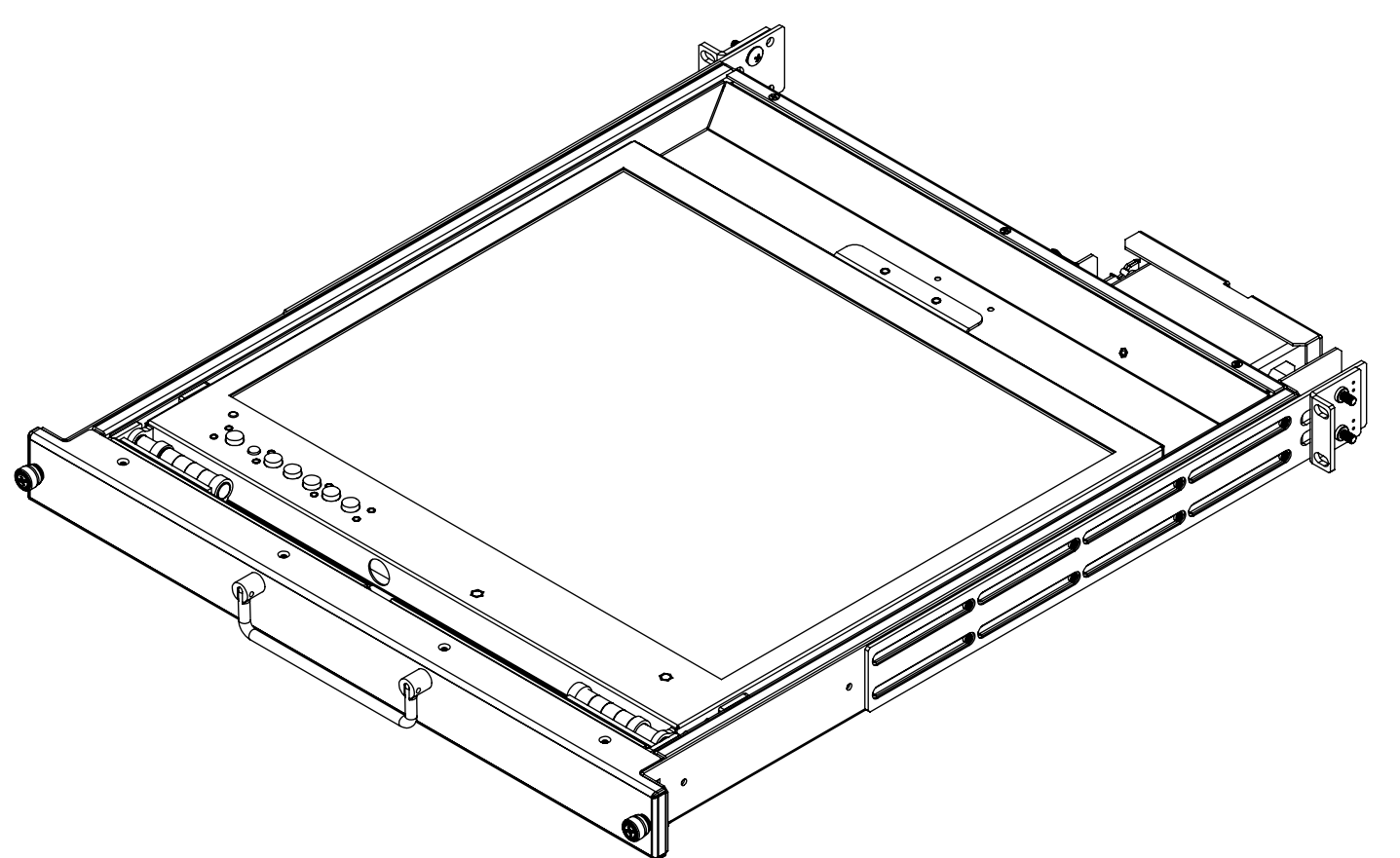
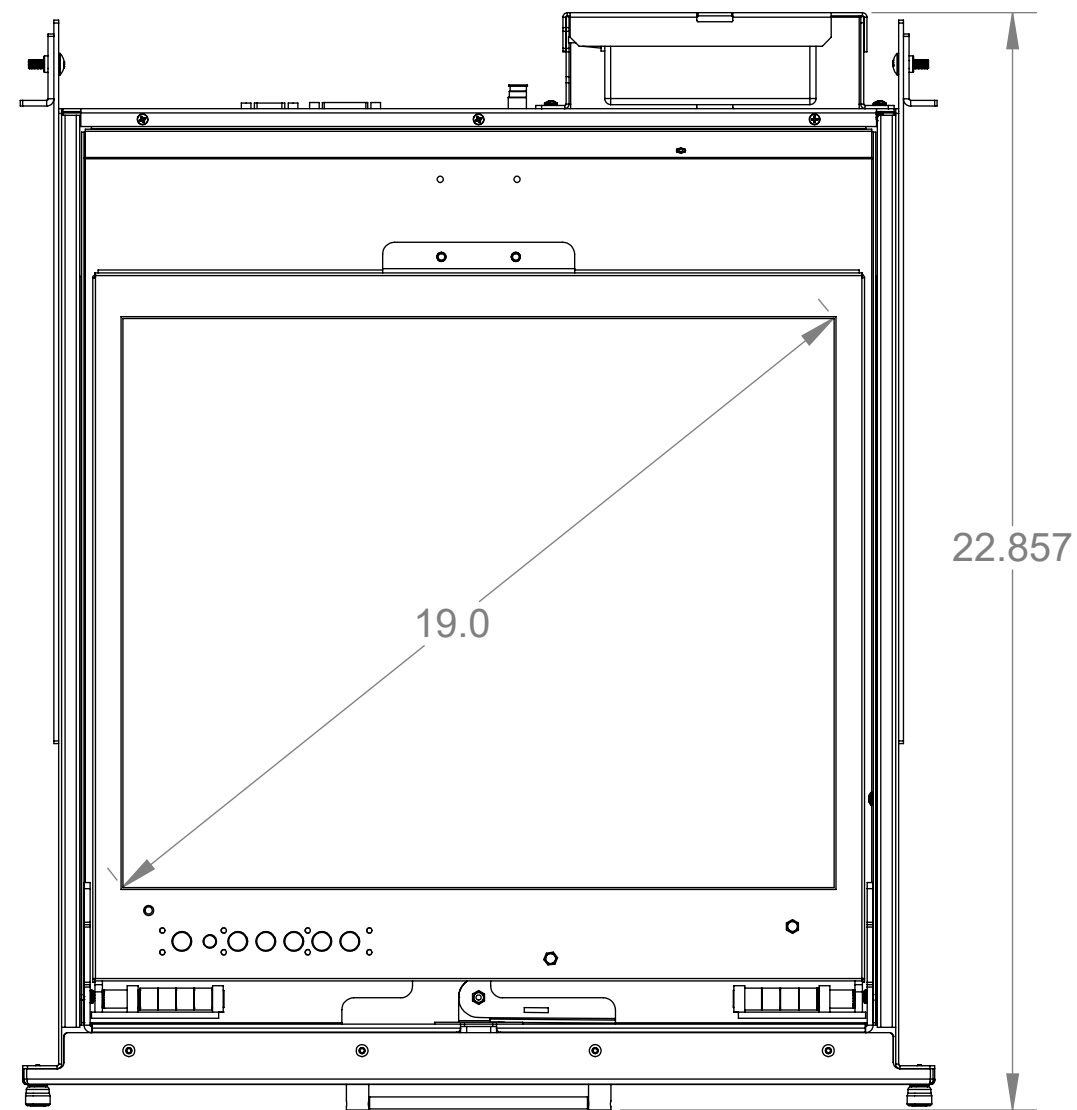
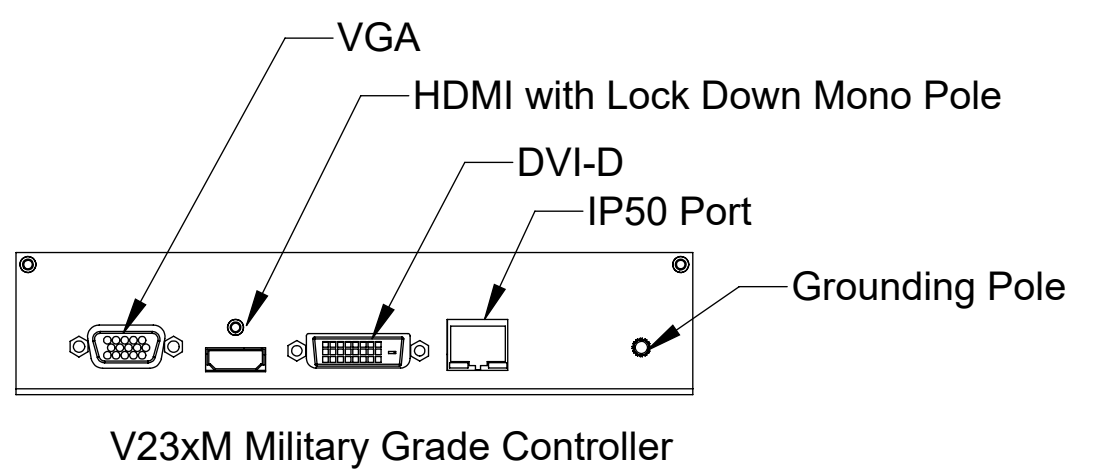
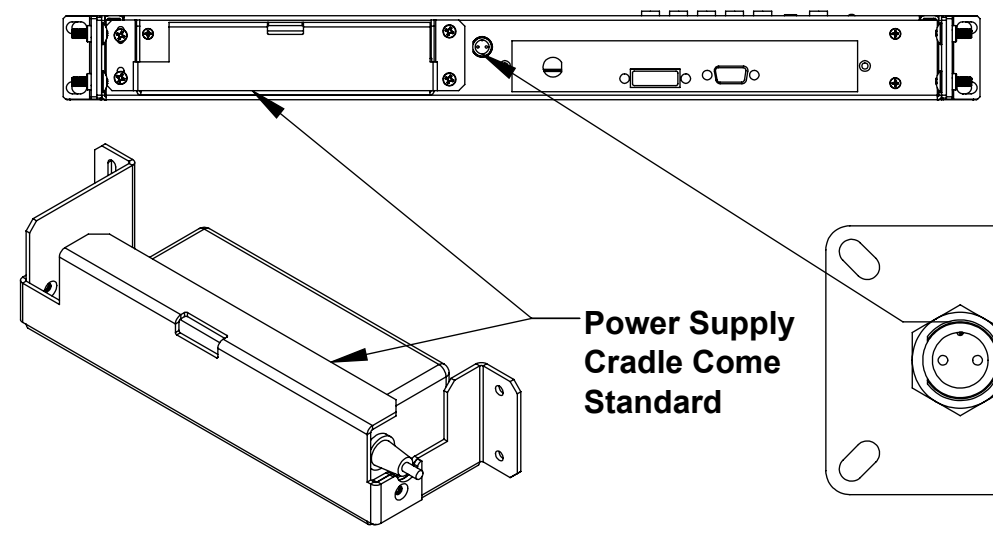
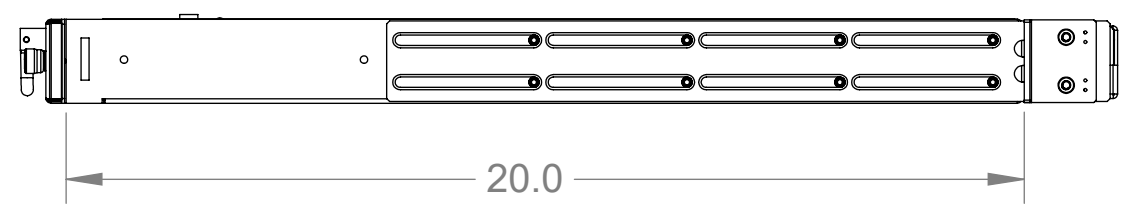
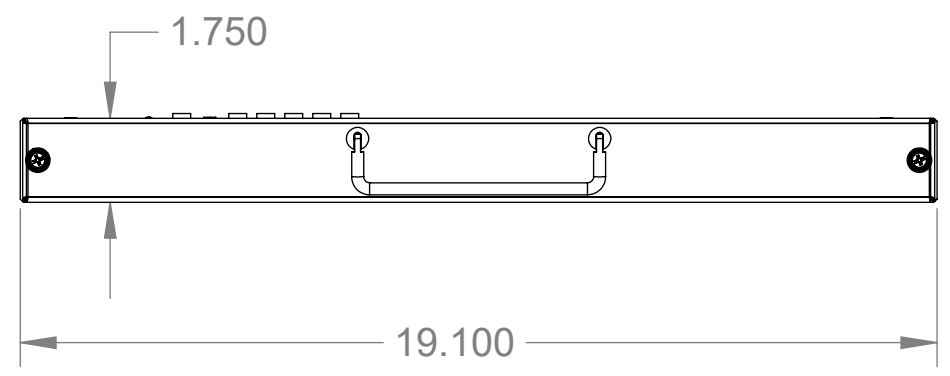


8 7 6 5 4 3 2 1

F
E
D
C
B
A



**Fits 20 to 28" Rack Depth with our Standard Arms
Optional Long Arm can be Purchaes to Extent to
34" Rack Depths**



Optional ITT
Cannon or
Amphonal Mill
Grade Quarter
Turn Connectors
are Available



8 7 6 5 4 3 2 1