

Next generation video processing technology, renders up to four videos, at the same time.

- All input and output resolutions up to 3840 x 2160.
- 4 x DVI DL inputs.
- Independent EDID (Extended Display Identification Data).
- HDMI 1.4 and DVI DL outputs.
- Any input, anywhere.
- Composite output: Cut, crop and stack inputs, with transparent overlay.



Perfect rendering

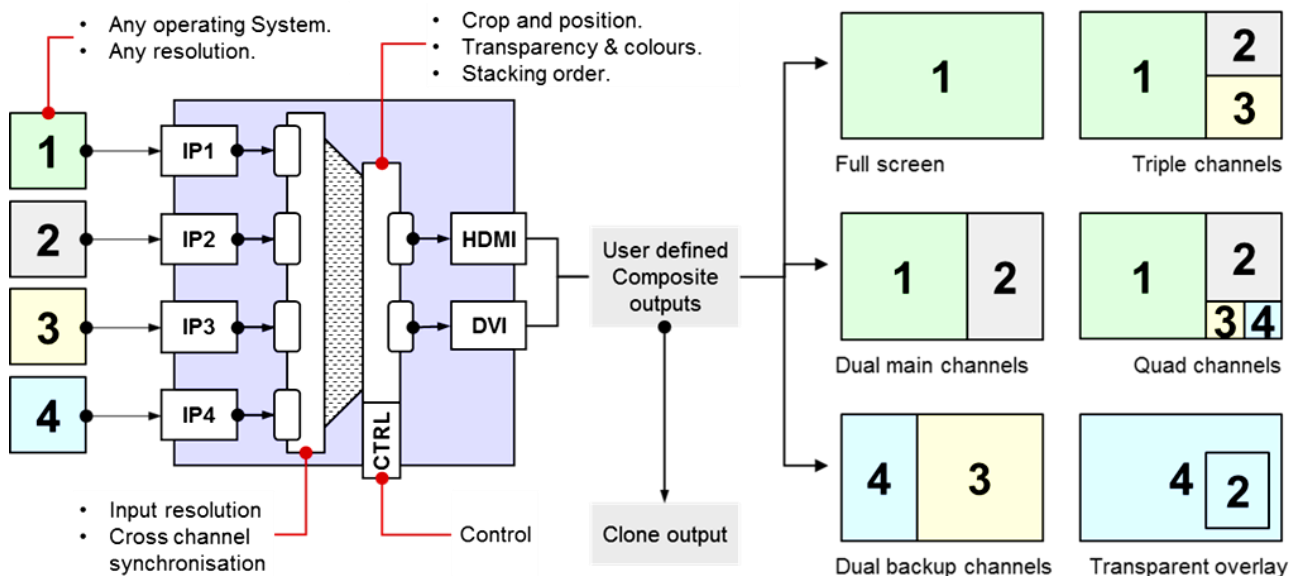
The Thruput MIDAS IV generates an 8 megapixel video stream for the new generation of 4K x 2K displays with HDMI and DVI compatible inputs.

All inputs can be rendered as single screens, or processed to create composite video presentations.

New possibilities

The large size and high resolution of new displays creates new possibilities for information display.

- View one 4K x 2K image across the entire screen.
- View several channels of information on one screen rather than on many separate monitors.
- Embed screens from a mix of UNIX, LINUX, Solaris or Windows sources.



THRUPUT

4K x 2K Video Integration GF MIDAS IV

Safety

Thruput True-pixel graphics processing:

- Directly maps input pixel to LCD pixel.
- Avoids any zoom engines or pixilation chipsets.
- All data channels are isolated and data from one channel cannot pass to another.

Green solution

The MIDAS IV does not use any hazardous materials, and is:

- Fully RoHS compliant, with ultra-low power consumption.
- Typically 15W in normal operation.

Specification

Resolution	3840 x 2160
Inputs	4 off DVI DL
Outputs	DVI DL and HDMI 1.4 (cloned)
Function	<ul style="list-style-type: none">• Set input and output resolutions.• Independent EDID (Extended Display Identification Data).• Synchronise all received data.• Create composite output of any or all inputs• Cut, crop, position and stack each input.• Set transparency colours for each input.
Power	Universal input voltage, worldwide use. Typically below 15W (normal operation).
Noise	0 dB (silent operation)
Weight	2.5 Kg
MTBF	127,000 hours
Compliance	CE, FCC and ROHS.
Record	Record composite output using Sentinel 4K x 2K recorder.
HMI	Option for synchronized switching of mouse & keyboard.
Extension	Up to 100m, Sentinel KVMX extender.



Thruput Limited operates a policy of continuous improvement and information in this document is subject to change without notice.



DISTRIBUTED BY SEATRONX

(800) 607-1460 (USA) • (772) 418-5035 • info@seatronx.com • www.seatronx.com