

# MPC-3600-i5-SE

# MPC-3600-i7-SE



Rugged Fanless Embedded System with LGA 1151 socket for Intel® 6th Gen. (Skylake) Desktop Processor

## FEATURES

- Intel® Core™ i7/i5 Processor
- Intel® Q170 Chipset
- 2x 260-pin DDR4 SO-DIMM, up to 32GB
- Triple independent display
- 2x Intel® GbE supporting Wake-on-LAN and PXE
- 4x 2.5" SATA HDD bay and 2x mSATA supporting
- 4x Full-size mini PCIe for communication or expansion modules, 4x SIM socket
- 4x RS-232/422/485, 6x USB 3.0, 2x USB 2.0
- 16-bit Isolated digital I/O
- 9 to 48 VDC wide range power input
- -25 °C to 70 °C extended operating temperature



## SPECIFICATIONS

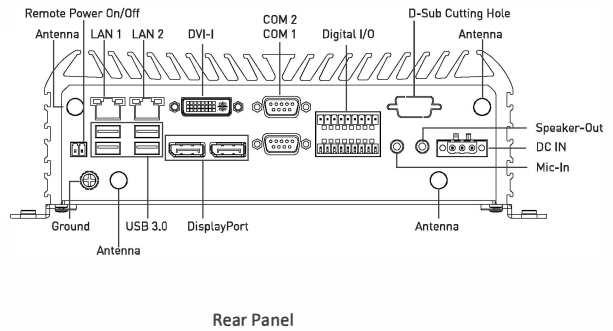
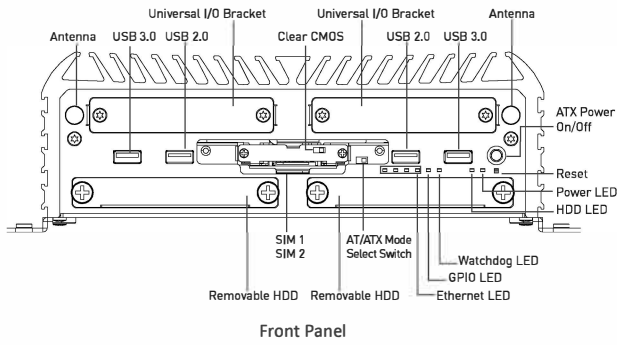
System	
Processor	- Core™ i7-6700TE, Quad Core, 8MB Cache, up to 3.4 GHz - Core™ i5-6500TE, Quad Core, 6MB Cache, up to 3.3 GHz
System Chipset	Intel® Q170 Express Chipset
LAN Chipset	GbE1: Intel® I210-AT (Support Wake-on-LAN and PXE) GbE2: Intel® I219LM (Support Wake-on-LAN and PXE)
Audio Codec	Realtek ALC888S
System Memory	2x 260-Pin DDR4 1866/2133MHz SO-DIMM. Max. up to 32GB
BIOS	AMI 128Mbit SPI BIOS
Watchdog	Software Programmable Supports 1~255 sec. System Reset
Display	
DVI	1x DVI-I
DisplayPort	2x DisplayPort
Multiple Display	Triple Display
Storage	
SSD/HDD	2x Internal 2.5" SATA HDD Bay 2x Removable 2.5" SATA HDD Bay Support RAID 0, 1, 5, 10
mSATA	2x mSATA (Shared by 2x Mini PCIe)
SIM Socket	2x External SIM socket 2x Internal SIM socket
Expansion	
Mini PCI Express	4x Full-size Mini PCIe
4-Port GbE (Optional)	Up to two 4-port GbE modules with Intel® I210-AT Chipset RJ-45 or M12 connector with PoE option One Universal I/O Slot occupied for one 4-port module
Operating System	
Windows	Windows 10, Windows 8.1, WES8.1, Windows 7, WES7
Linux	Linux kernel 4.X

I/O	
COM	4x RS-232/422/485 (rear) 2x RS-232/422/485 (internal)
USB	6x USB 3.0 (4x rear/2x front), 2x USB 2.0 (front)
LAN	2x GbE RJ45 (rear)
Audio	1x Mic-in, 1x Line-out (rear)
DIO	8 in / 8 out (Isolated, rear)
Universal I/O Slot	2x Universal I/O Slots (front)
Others	6x WiFi Antenna Holes (2x front/4x rear) 1x Power Switch (front) 1x AT/ATX Switch (rear) 1x Remote Power On/Off (rear)
Power	
Power Mode	AT or ATX Mode
Power Input	9 ~ 48 VDC
Power Connector	3-pin Terminal Block
Power Protection	OVP (Over Voltage Protection) OCP (Over Current Protection) RPP (Reverse Polarity Protection)
Power Adapter*	Optional External Power Adapter, 120W or 220W
Environment†	
Operating Temp.	-25 °C to 70 °C (-13 °F to 158 °F)
Storage Temp.	-30 °C to 85 °C (-22 °F to 185 °F)
Relative Humidity	10% to 95% (non-condensing)
Vibration	With SSD: 5 Grms, 5 - 500 Hz, 0.5 hr/axis With HDD: 1 Grms, 5 - 500 Hz, 0.5 hr/axis
Shock	With SSD: 50G, half sine, 11ms
Certification	CE, FCC Class A
Physical	
Construction	Extruded Aluminum with Heavy Duty Metal
Dimension (W x D x H)	240 x 261 x 79 mm 9.5" x 10.3" x 3.1"
Weight	4.37 kg (9.61 lb)
Mounting	Wall Mount
Packing List	1x MPC-3600 Rugged Fanless System 1x Wall-mount Bracket 1x DVI to VGA Adapter

\* For detailed performance, please refer to the data sheet or consult with the technical team.

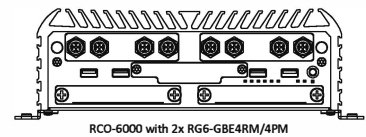
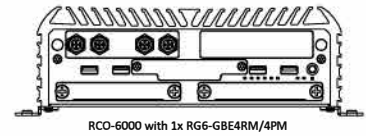
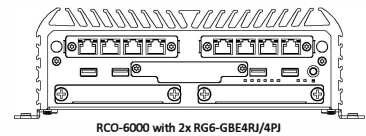
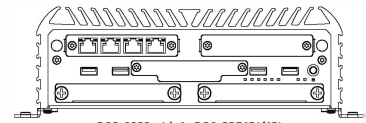
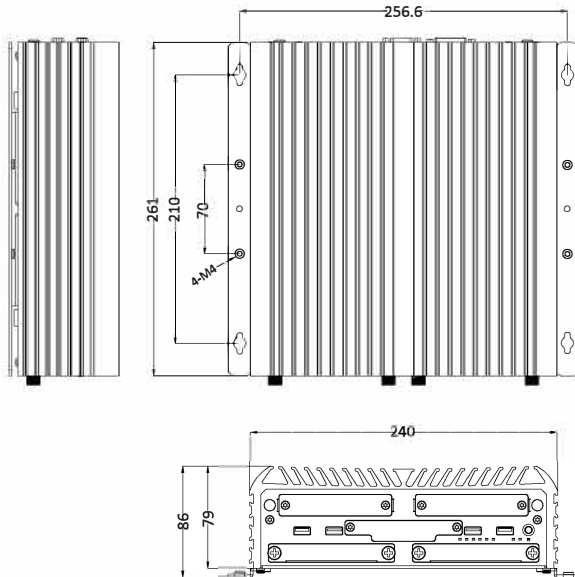
† Final system performance depends on all installed component specifications.

# I/O LAYOUT



# DIMENSION

Unit: mm



# ORDERING INFO

Part No. Description



(772) 418  
 info@seatronx.com  
[www.seatronx.com](http://www.seatronx.com)

SEATRONX,  
 7530 SW Jack James Dr.  
 Stuart, FL 34997

ADMINISTRATION  
 PO Box 1713  
 Hobe Sound, FL 33475